

SL26SL/SL30SL

SPEED LEVEL



- The original Speed Level sigma lift
- Auto-levelling on gradients of up to 50% - without stabilizers!
- Suitable for most terrains
- Powerful 4x4 drive
- Ideal for rough terrain or work at height on sloped ground

 **snorkel**
www.snorkellifts.com

SPEED LEVEL

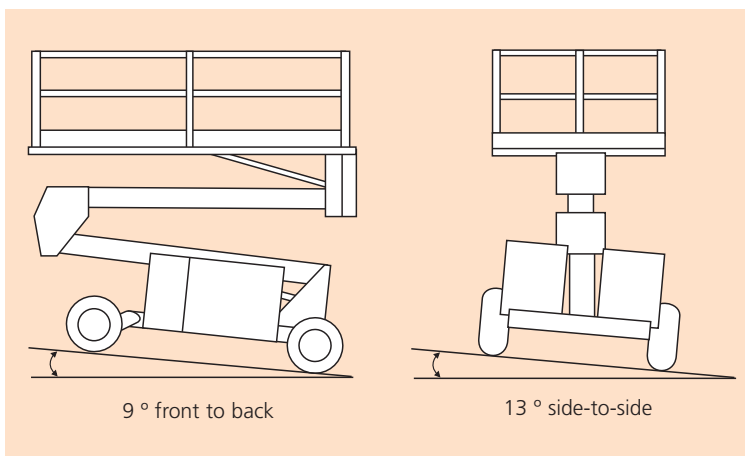
| DIMENSIONS | SL26SL | SL30SL |
|---------------------------------|-------------------|-------------------------|
| Max. working height | 32 ft | 36 ft |
| Max. platform height (A) | 26 ft | 30 ft |
| Platform size (stowed) | 5 ft 8 in x 12 ft | 5 ft 8 in x 13 ft 11 in |
| Platform size (extended) | 5 ft 8 in x 15 ft | n/a |
| Overall width (D) | 7 ft | 7 ft |
| Overall length (C) | 12 ft 5 in | 14 ft 5 in |
| Stowed height (B) | 8 ft 6 in | 8 ft 6 in |
| Min. height (guardrails folded) | 59 in | 59 in |
| Chassis ground clearance | 12 in | 12 in |
| Axle ground clearance | 8 in | 8 in |

| PERFORMANCE | SL26SL | SL30SL |
|-------------------------------|---|---------------|
| Platform capacity (SWL) | 1,500 lbs | 1,300 lbs |
| Max. drive height | 26 ft | 30 ft |
| Max. drive speed (stowed) | 3.2 mph | 3.2 mph |
| Max. drive speed (elevated) | 0.5 mph | 0.5 mph |
| Raise/lower time | 21/32 seconds | 24/36 seconds |
| Gradeability | 27° / 50 % | 27° / 50 % |
| Max. levelling, front to rear | 9° | 9° |
| Max. levelling, side to side | 13° | 13° |
| Inside turning radius | 12 ft 10 in | 12 ft 10 in |
| Tires | 26 x 12.00 - 12 NHS Pneumatic | |
| Controls | Proportional joystick | |
| Drive system | 4 wheel drive with hydraulic motors and flow dividers | |

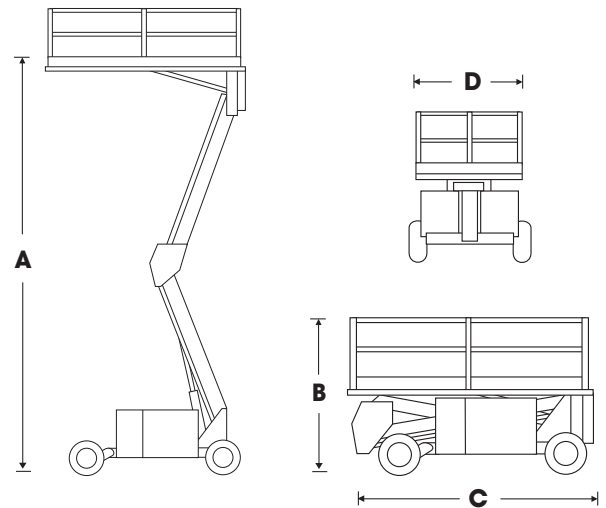
| POWER | SL26SL | SL30SL |
|--------------|-----------------------------|--------|
| Power source | Water cooled, diesel engine | |

| WEIGHT | SL26SL | SL30SL |
|--------|-----------|-----------|
| Weight | 7,053 lbs | 7,495 lbs |

LEVELLING CAPABILITIES



SL26SL/SL30SL



STANDARD FEATURES

- Diesel power
- Rated for up to 5 people plus tools
- Descent alarm
- Hour meter
- Horn
- Speed level - automatic powered platform levelling
- Power line to platform
- Oscillating front axle
- Pneumatic tires
- Dual multi-disc brakes
- One-hand, proportional controls
- Fold-down guardrails
- ANSI compliant

OPTIONS

- Special paint colors
- All motion alarm
- Foam filled tires
- Flashing amber light
- Diesel exhaust scrubber
- Environmental green oil
- CSA compliant

snorkel

www.snorkellifts.com

P.O. Box 1160
 St. Joseph, MO 64502-1160, USA
 Tel: 1 (785) 989-3000
 Toll-free: 1 (800) 255-0317
 Sales Fax: 1 (785) 989-3070
 Parts Fax: 1 (785) 989-3077